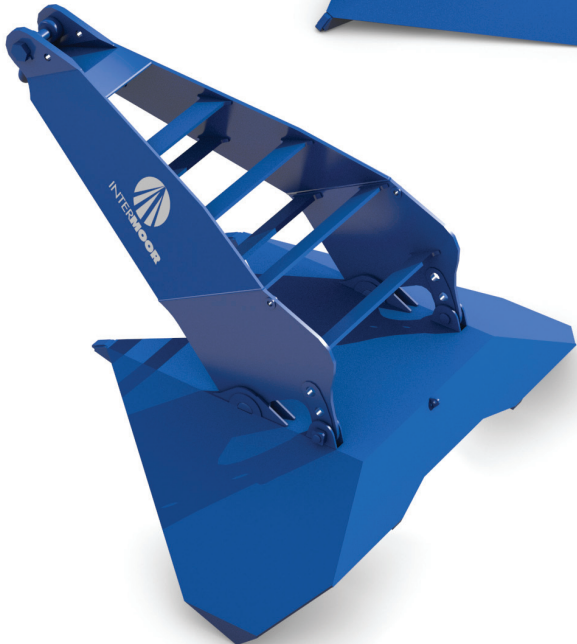
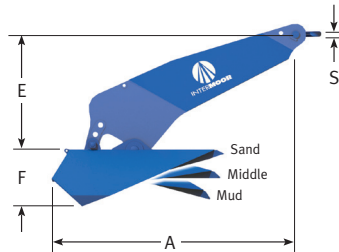
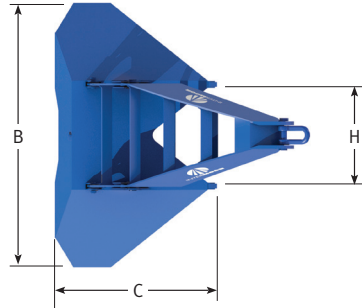


Stevpris Mk 6



INTERMOOR





Dimensions in mm - Anchor weight in kg

Weight	1500	3000	5000	8000	10000	12000	15000	18000	20000	22000	25000	30000
A	2797	3523	4178	4886	5263	5593	6025	6402	6631	6845	7143	7591
B	3059	3870	4602	5390	5807	6171	6679	7101	7368	7625	7962	8451
C	1981	2495	2958	3460	3728	3961	4267	4534	4696	4848	5059	5376
E	1321	1664	1973	2308	2486	2642	2846	3024	3132	3234	3374	3586
F	641	808	958	1120	1206	1282	1381	1468	1520	1569	1637	1740
H	1170	1490	1781	2090	2253	2394	2610	2777	2890	3002	3138	3324
S	65	80	100	120	130	140	160	170	180	190	200	210

NOTE Other sizes are available. Specification sheet is available on request.

January 2015