

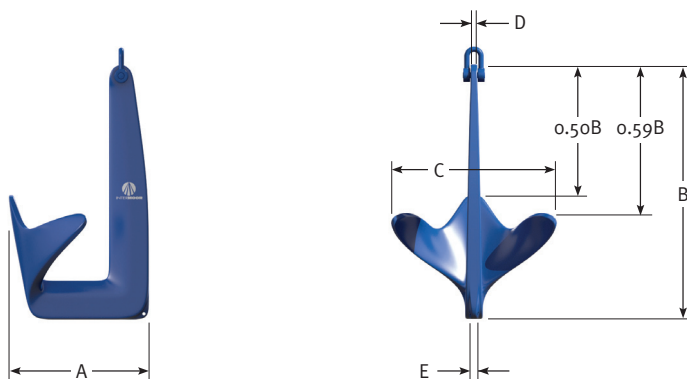
Bruce Single Shank



INTERMOOR



## Bruce Single Shank



Weight kg	A mm	B mm	C mm	D mm	E mm	Anchor Shackle SWL Tonnes	Pendant Shackle SWL Tonnes
600	1130	2020	1370	56	40	17	9.5
1000	1340	2400	1630	64	53	25	17
2000	1690	3030	2050	84	61	35	25
3000	1930	3460	2350	92	70	50	35
6500	2530	4530	3070	125	92	100	55
9000	2790	5000	3380	140	92	130	55

**NOTE** Other sizes are available. Specification sheet is available on request.

January 2015